

# Product information



## Type 193 Pavement Protection Bollard

Drawing No  
DS-193

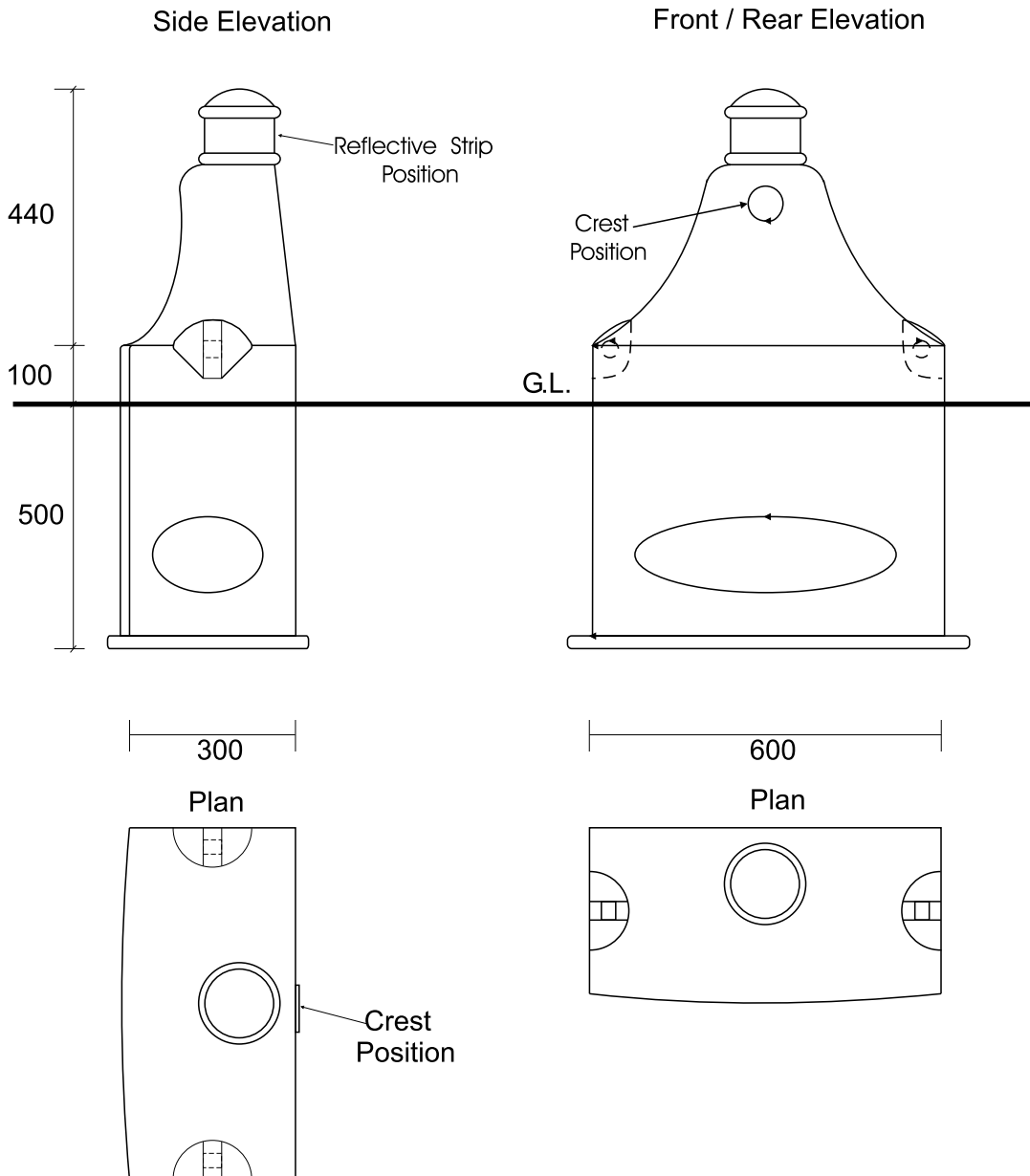
Drawn  
NAK

Date  
07-01-02

Scale  
NTS

Weight

Checked



CIS Street Furniture  
Albany Court  
Blenheim Road  
Ashbourne  
DE6 1HA

T: 01335 300 234  
F: 01335 300 353

### Details

Revised 29/6/04 Flange added to base (NAK)

sales@cis-streetfurniture.co.uk  
www.cis-streetfurniture.co.uk